



Catch Basin Products

Catch Basin Type 30

Reinforcing

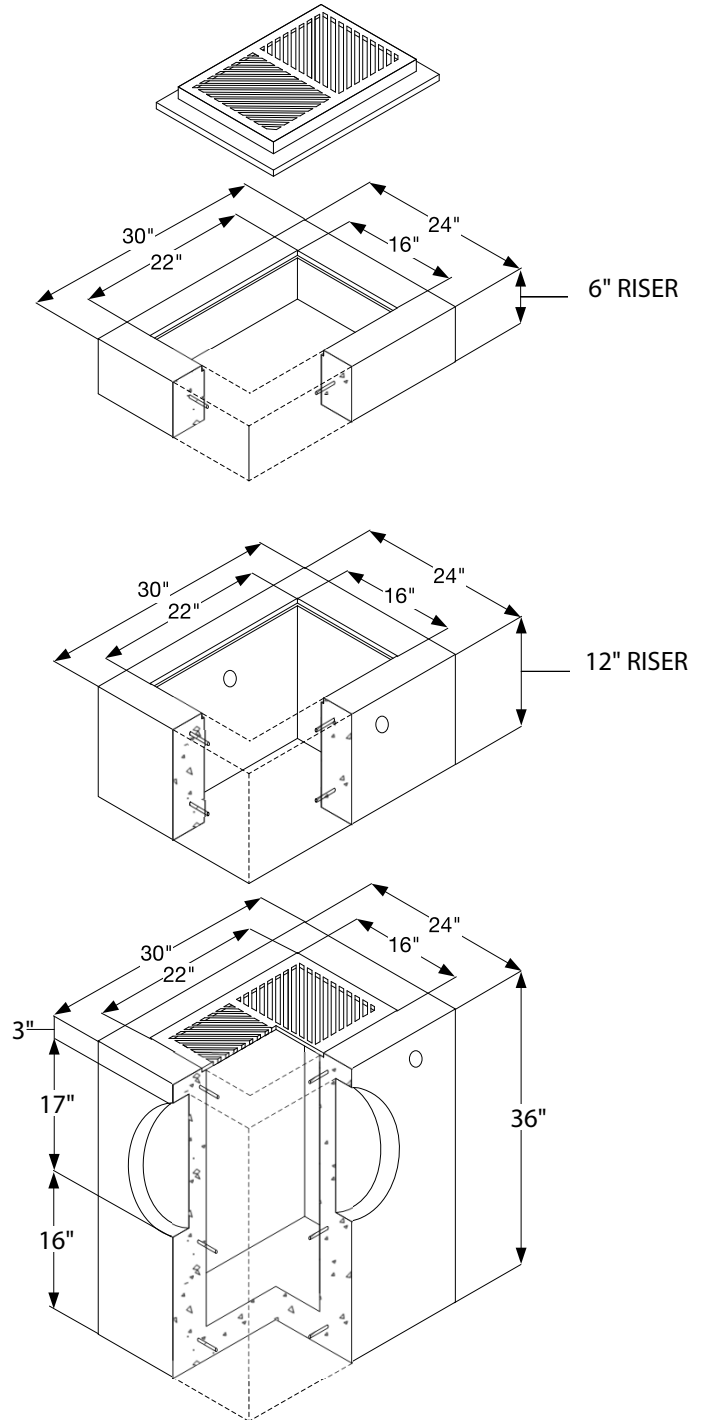
- Reinforcing meets ASTM Standard Specifications
- #3 grade 60 reinforcing bar

Cast Iron Grate

- The 18" x 24" cast iron grate drops in the recessed area at the top of the basin or riser
- An 18" x 24" frame & grate is available upon request

Additional Information

- The base unit has a 17 inch diameter knock-out on each of the four sides
- Base - 1100 lbs
- 6 inch Riser - 180 lbs
- 12 inch Riser - 360 lbs
- 1½ inch hole on each side for handling



Note: Drawings not to scale

www.shopeconcrete.com

1-800-422-7560 [TOLL FREE]



Shope Concrete, LLC
1618 East Main Avenue
Puyallup, WA 98372-3142

(253) 848-1551
Fax Line 1 (253) 845-0292
Fax Line 2 (253) 864-6172

